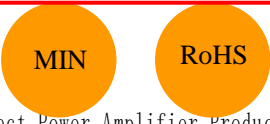


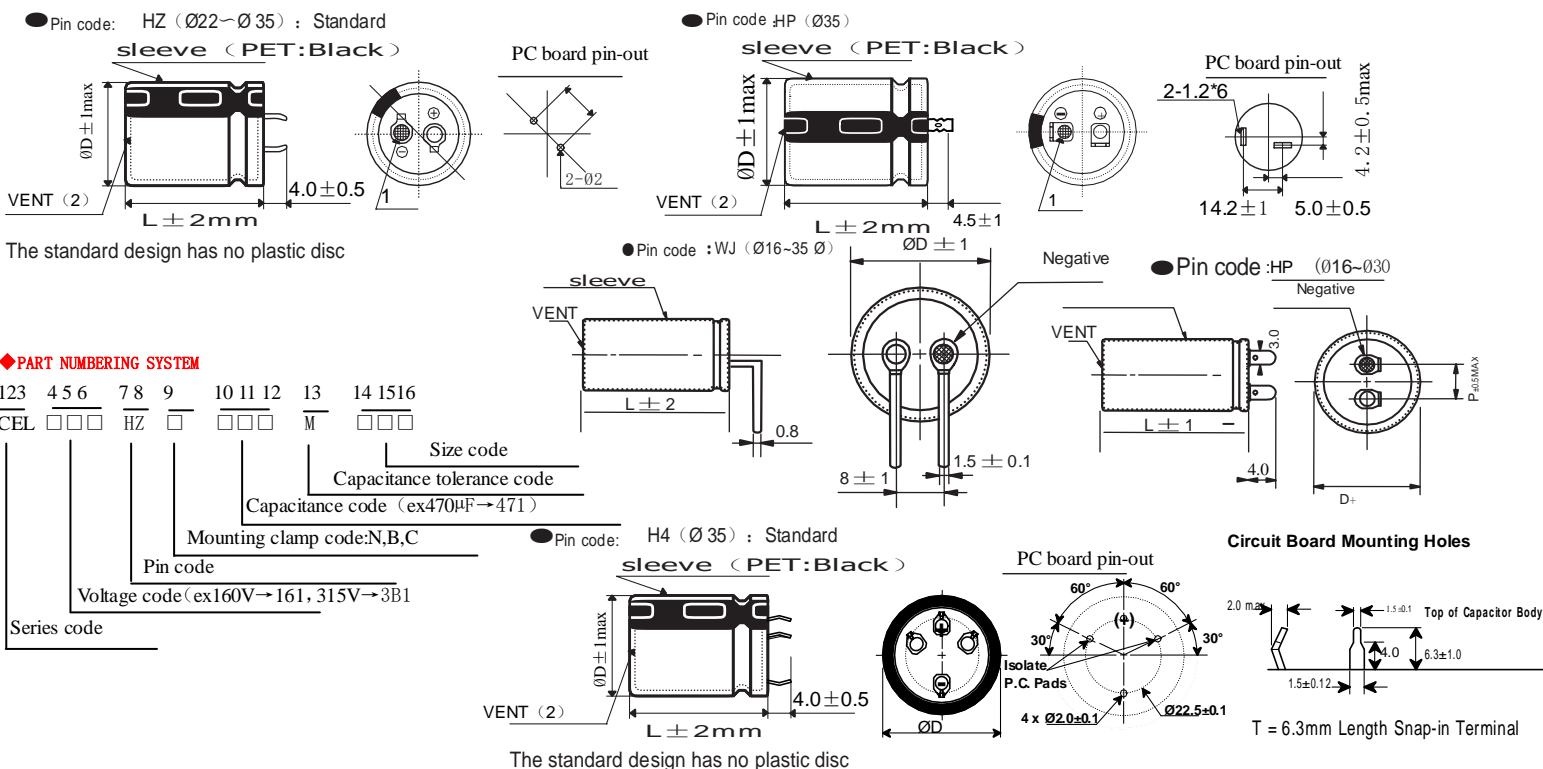
- Endurance with ripple current: 3000 hours at 105°C;
- Increase The New type 16~100VDC
- Apply to Super High Frequency Class High-power Aspect Power Amplifier Products;

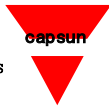


◆ SPECIFIC ATIONS

items	characteristics							
Category temperature Range	-40~+105°C (35vdc, 50vdc)、-25~+105°C (160vdc~450vdc)							
Rated voltage Range	16~500 <sub>VDC</sub>							
Capacitance Tolerance	± 20% (M) 20°C、120HZ							
Leakage Current	I=0.02CV or 5mA, whichever is smaller I: Where, I : Max. leakage current (µA)、C: Nominal capacitance (µF)、Rated voltage (V)at 20°C after 5 minutes							
Dissipation Factor (MAX)	Rated voltage (Vdc)	35V		50V		160v~250V	315v~400V	420V~450V
	Rated capacitance (µF)	10000>C	C ≥ 10000	10000>C	C ≥ 10000	-	-	-
	tanδ Max	0.30	0.35	0.25	0.30	0.15	0.15	0.20
Low Temperature characteristics	Rated voltage (Vdc)	35、50V		160v~400V		420V~500V		
	Z(-25°C)/Z(+20°C)	4		4		8		
	Z(-40°C)/Z(+20°C)	10		-		-		
Endurance	The following specifications shall be satisfied when the capacitors are restored to 20°C after subjected to DC voltage with the rated ripple current is applied (the peak voltage shall not exceed the rated voltage) for 3,000 hours at 105°C							
	Capacitance change	≤ ±20% of the initial value						
	D.F. (tanδ)	≤ 300% of the initial specified value						
	Leakage current	≤ The initial specified value						
Shelf Life	The following specifications shall be satisfied when the capacitors are restored to 20°C after exposing them for 500 hours at 105°C without voltage applied. Before the measurement, the capacitor shall be preconditioned by applying voltage according to Item 4.1 of JIS C 5101-4							
	Capacitance change	≤ ±20% of the initial value						
	D.F. (tanδ)	≤ 300% of the initial specified value						
	Leakage current	≤ The initial specified value						

◆ size Fig (snap-in Fig)[mm]





## SRANDRAD RATINGS

WV [Vdc]	cap [ $\mu$ F]	Case size $\varnothing$ D x L [mm]	$\tan\delta$	Ripple current (Ams/105 $^{\circ}$ C, 120Hz)	Par t NO.	WV [Vdc]	cap [ $\mu$ F]	Case size $\varnothing$ D x L [mm]	$\tan\delta$	Ripple current (Ams/105 $^{\circ}$ C, 120Hz)	Par t NO.
16V 20SV	4700	22*20	0.160	1.60	CER016NJ472KE20	25V 32SV	5600	22*25	0.095	1.90	CER025NJ562KE25
	4700	22*25	0.160	1.77	CER016NJ472KE25		6800	22*30	0.078	2.75	CER025NJ682KE30
	6800	22*25	0.110	2.60	CER016NJ682KE25		6800	25*25	0.078	3.50	CER025NJ682KF25
	6800	25*20	0.110	1.80	CER016NJ682KF20		6800	30*20	0.078	2.30	CER025NJ682KG20
	8200	22*25	0.090	3.10	CER016NJ822KE25		8200	22*30	0.065	3.60	CER025NJ822KE30
	10000	22*30	0.075	3.80	CER016NJ103KE30		8200	25*25	0.065	3.60	CER025NJ822KF25
	10000	25*25	0.143	3.80	CER016NJ103KF25		10000	22*25	0.058	3.80	CER025NJ103KE25
	10000	30*20	0.084	2.40	CER016NJ103KG20		10000	25*30	0.058	3.80	CER025NJ103KF30
	12000	22*30	0.119	4.50	CER016NJ123KE30		10000	30*25	0.136	3.28	CER025NJ103KG25
	12000	25*25	0.119	4.50	CER016NJ123KF25		10000	35*20	0.060	2.70	CER025NJ103KA20
	15000	22*35	0.054	5.30	CER016NJ153KE35		12000	22*40	0.050	4.10	CER025NJ123KE40
	15000	25*30	0.054	5.30	CER016NJ153KF30		12000	25*35	0.050	4.10	CER025NJ123KF35
	15000	35*20	0.055	3.20	CER016NJ153KA20		12000	30*30	0.050	4.10	CER025NJ123KG30
	18000	22*40	0.045	5.60	CER016NJ183KE40		15000	22*50	0.040	4.60	CER025NJ153KE50
	18000	25*30	0.045	5.60	CER016NJ183KF30		15000	25*40	0.040	4.60	CER025NJ153KF40
	22000	22*45	0.065	6.10	CER016NJ223KE45		15000	30*30	0.040	4.60	CER025NJ153KG30
	22000	25*35	0.065	6.10	CER016NJ223KF35		18000	25*45	0.035	5.50	CER025NJ183KF45
	22000	30*30	0.065	6.10	CER016NJ223KG30		18000	30*35	0.035	5.50	CER025NJ183KG35
	27000	25*45	0.031	6.30	CER016NJ273KF45		22000	25*50	0.030	6.10	CER025NJ223KF50
	27000	30*35	0.031	6.30	CER016NJ273KG35		22000	30*40	0.030	6.10	CER025NJ223KG40
	33000	25*50	0.025	6.80	CER016NJ333KF50		27000	30*45	0.023	6.20	CER025NJ273KG45
	33000	30*40	0.025	6.80	CER016NJ333KG40		27000	35*35	0.023	6.20	CER025NJ273KA35
	33000	35*30	0.025	6.80	CER016NJ333KA30		33000	30*50	0.020	6.80	CER025NJ333KG50
	39000	30*45	0.022	6.95	CER016NJ393KG45		33000	35*40	0.020	6.80	CER025NJ333KA40
	39000	35*35	0.022	6.95	CER016NJ393KA35		33000	40*40	0.026	7.30	CER025NJ333KD40
	47000	30*50	0.030	7.50	CER016NJ473KG50		39000	35*45	0.020	7.40	CER025NJ393KA45
	47000	35*40	0.030	7.50	CER016NJ473KA40		39000	40*40	0.020	8.00	CER025NJ393KD40
	56000	35*45	0.020	8.70	CER016NJ563KA45		47000	35*50	0.024	8.00	CER025NJ473KA50
	56000	40*40	0.022	9.00	CER016NJ563KD40		47000	35*63	0.017	8.30	CER025NJ473KA63
	68000	35*50	0.018	9.00	CER016NJ683KA50		56000	35*70	0.015	9.10	CER025NJ563KA70
	82000	35*63	0.016	10.00	CER016NJ823KA63		56000	40*63	0.015	9.50	CER025NJ563KD63
	82000	40*50	0.016	10.30	CER016NJ823KD50		56000	35*63	0.024	8.60	CER025NJ563KA63
100000	35*80	0.015	11.00	CER016NJ104KA80	56000	40*50	0.016	9.00	CER025NJ563KD50		
100000	40*63	0.018	11.40	CER016NJ104KD63	68000	35*80	0.013	10.40	CER025NJ683KA80		
120000	35*105	0.014	12.81	CER016NJ124KA105	68000	40*63	0.017	10.25	CER025NJ683KD63		
120000	40*80	0.017	12.40	CER016NJ124KD80	82000	50*50	0.016	12.29	CER025NJ823KC50		
120000	50*50	0.014	13.17	CER016NJ124KC50	100000	35*105	0.010	11.97	CER025NJ104KA105		
150000	50*63	0.012	14.40	CER016NJ154KC63	100000	50*63	0.014	13.45	CER025NJ104KC63		
180000	40*105	0.013	14.85	CER016NJ184KD105	100000	40*80	0.012	12.00	CER025NJ104KD80		
180000	50*80	0.011	15.69	CER016NJ184KC80	120000	50*80	0.012	15.29	CER025NJ124KC80		
220000	50*92	0.010	16.73	CER016NJ224KC92	150000	40*105	0.011	14.07	CER025NJ154KD105		
270000	50*105	0.009	17.79	CER016NJ274KC105	150000	50*92	0.011	16.01	CER025NJ154KC92		
25V 32SV	3300	22*20	0.177	1.60	CER025NJ332KE20	35V 44SV	180000	50*105	0.010	16.89	CER025NJ184KC105
	3300	22*25	0.161	1.70	CER025NJ332KE25		2200	22*20	0.211	1.40	CER035NJ222KE20
	4700	22*25	0.110	2.40	CER025NJ472KE25		2200	22*25	0.166	1.50	CER035NJ222KE25
	4700	25*20	0.125	1.80	CER025NJ472KF20		3300	22*25	0.110	2.30	CER035NJ332KE25

35V 44SV	3300	25*20	0.120	1.70	CER035NJ332KF20	50V 63SV	4700	25*30	0.110	3.00	CER050NJ472KF30
	3900	22*25	0.095	2.70	CER035NJ392KE25		4700	30*25	0.110	3.00	CER050NJ472KG25
	4700	22*30	0.080	3.30	CER035NJ472KE30		4700	35*20	0.080	2.10	CER050NJ472KA20
	4700	25*25	0.080	3.30	CER035NJ472KF25		5600	22*40	0.060	3.40	CER050NJ562KE40
	4700	30*20	0.090	2.00	CER035NJ472KG20		5600	25*35	0.060	3.40	CER050NJ562KF35
	5600	22*30	0.083	3.40	CER035NJ562KE30		5600	30*30	0.060	3.40	CER050NJ562KG30
	5600	25*25	0.083	3.40	CER035NJ562KF25		6800	22*50	0.050	3.90	CER050NJ682KE50
	6800	22*35	0.068	3.70	CER035NJ682KE35		6800	25*40	0.050	3.90	CER050NJ682KF40
	6800	35*20	0.070	2.40	CER035NJ682KA20		6800	30*30	0.050	3.90	CER050NJ682KG30
	6800	25*30	0.069	3.70	CER035NJ682KF30		8200	25*45	0.040	4.40	CER050NJ822KF45
	8200	22*40	0.057	4.00	CER035NJ822KE40		8200	30*35	0.040	4.40	CER050NJ822KG35
	8200	25*35	0.057	4.00	CER035NJ822KF35		10000	25*50	0.040	5.00	CER050NJ103KF50
	10000	22*45	0.050	4.40	CER035NJ103KE45		10000	30*40`	0.040	5.00	CER050NJ103KG40
	10000	25*40	0.050	4.40	CER035NJ103KF40		10000	35*30	0.040	5.00	CER050NJ103KA30
	10000	30*30	0.050	4.40	CER035NJ103KG30		12000	30*45	0.033	5.60	CER050NJ123KG45
	10000	35*25	0.050	4.40	CER035NJ103KA25		12000	35*35	0.033	5.60	CER050NJ123KA35
	12000	25*45	0.044	5.10	CER035NJ123KF45		15000	30*50	0.037	6.40	CER050NJ153KG50
	12000	30*35	0.044	5.10	CER035NJ123KG35		15000	35*40	0.037	6.40	CER050NJ153KA40
	12000	35*30	0.044	5.10	CER035NJ123KA30		18000	35*63	0.018	7.80	CER050NJ183KA63
	15000	25*50	0.057	5.60	CER035NJ153KF50		18000	35*45	0.022	6.90	CER050NJ183KA45
	15000	30*40	0.036	5.60	CER035NJ153KG40		18000	40*40	0.023	6.94	CER050NJ183KD40
	15000	35*30	0.036	5.60	CER035NJ153KA30		22000	35*70	0.025	8.60	CER050NJ223KA70
	18000	30*45	0.048	5.70	CER035NJ183KG45		22000	35*50	0.025	7.60	CER050NJ223KA50
	18000	35*35	0.048	5.70	CER035NJ183KA35		27000	35*80	0.013	9.30	CER050NJ273KA80
	22000	30*50	0.026	6.10	CER035NJ223KG50		27000	35*63	0.018	8.30	CER050NJ273KA63
	22000	35*40	0.026	6.10	CER035NJ223KA40		27000	40*50	0.025	8.10	CER050NJ273KD50
	27000	35*45	0.021	6.80	CER035NJ273KA45		33000	35*80	0.015	9.20	CER050NJ333KA80
	27000	40*40	0.021	6.80	CER035NJ273KD40		33000	40*63	0.018	9.10	CER050NJ333KD63
	33000	35*50	0.018	7.15	CER035NJ333KA50		33000	50*50	0.018	10.48	CER050NJ333KC50
	33000	35*63	0.018	7.80	CER035NJ333KA63		47000	50*63	0.013	11.54	CER050NJ473KC63
	39000	35*63	0.015	7.90	CER035NJ393KA63		47000	35*105	0.014	10.27	CER050NJ473KA105
	39000	35*70	0.015	8.60	CER035NJ393KA70		56000	40*105	0.012	11.47	CER050NJ563KD105
	39000	40*50	0.017	8.00	CER035NJ393KD50		56000	50*80	0.012	12.46	CER050NJ563KC80
	47000	35*80	0.015	9.50	CER035NJ473KA80		68000	50*92	0.011	13.17	CER050NJ683KC92
	47000	40*63	0.016	9.60	CER035NJ473KD63		82000	50*105	0.011	13.87	CER050NJ823KC105
	56000	50*50	0.015	10.94	CER035NJ563KC50		1000	22*20	0.380	1.20	CER063NJ102KE20
	56000	40*80	0.015	10.30	CER035NJ563KD80		1000	22*25	0.332	1.20	CER063NJ102KE25
	68000	35*105	0.010	10.62	CER035NJ683KA105		1500	22*25	0.221	1.70	CER063NJ152KE25
	68000	50*63	0.013	11.93	CER035NJ683KC63		1500	25*20	0.250	1.30	CER063NJ152KF20
	82000	40*105	0.012	12.02	CER035NJ823KD105		2200	22*30	0.151	2.50	CER063NJ222KE30
	82000	50*80	0.012	13.06	CER035NJ823KC80		2200	25*25	0.151	2.50	CER063NJ222KF25
	100000	50*92	0.011	13.97	CER035NJ104KC92		2200	30*20	0.170	1.50	CER063NJ222KG20
	120000	50*105	0.010	14.86	CER035NJ124KC105		2700	22*35	0.123	3.70	CER063NJ272KE35
	50V 63SV	1500	22*20	0.225	1.20		CER050NJ152KE20	63V 79SV	2700	25*30	0.123
1500		22*25	0.220	1.25	CER050NJ152KE25	3300	22*40		0.110	4.10	CER063NJ332KE40
2200		22*25	0.150	1.80	CER050NJ222KE25	3300	25*30		0.110	4.10	CER063NJ332KF30
2200		25*20	0.175	1.40	CER050NJ222KF20	3300	30*25		0.110	4.10	CER063NJ332KG25
2700		22*25	0.125	2.20	CER050NJ272KE25	3300	35*20		0.125	1.70	CER063NJ332KA20
3300		22*30	0.100	2.70	CER050NJ332KE30	3900	22*45		0.100	4.40	CER063NJ392KE45
3300		25*25	0.158	2.70	CER050NJ332KF25	3900	25*35		0.100	4.40	CER063NJ392KF35
3300		30*20	0.117	1.70	CER050NJ332KG20	3900	30*30		0.100	4.40	CER063NJ392KG30
3900		22*30	0.085	2.80	CER050NJ392KE30	4700	22*50		0.080	4.90	CER063NJ472KE50
3900		25*25	0.085	2.80	CER050NJ392KF25	4700	25*40		0.080	4.90	CER063NJ472KF40
4700		22*35	0.110	3.00	CER050NJ472KE35	4700	30*30		0.080	4.90	CER063NJ472KG30

63V 795V	4700	35*25	0.080	4.90	CER063NJ472KA25	80V 1005V	8200	35*50	0.040	5.80	CER080NJ822KA50
	5600	35*30	0.070	5.40	CER063NJ562KA30		8200	40*40	0.040	5.83	CER080NJ822KD40
	5600	25*45	0.070	5.40	CER063NJ562KF45		10000	35*63	0.033	6.40	CER080NJ103KA63
	5600	30*35	0.070	5.40	CER063NJ562KG35		12000	35*70	0.020	8.10	CER080NJ123KA70
	6800	25*50	0.060	5.80	CER063NJ682KF50		12000	40*50	0.025	7.50	CER080NJ123KD50
	6800	30*40	0.060	5.80	CER063NJ682KG40		15000	35*80	0.017	8.80	CER080NJ153KA80
	6800	35*30	0.060	5.80	CER063NJ682KA30		15000	40*63	0.020	8.50	CER080NJ153KD63
	8200	30*45	0.067	6.00	CER063NJ822KG45		18000	40*80	0.014	10.30	CER080NJ183KD80
	8200	35*35	0.067	6.00	CER063NJ822KA35		18000	50*50	0.023	10.00	CER080NJ183KC50
	10000	40*40	0.028	6.60	CER063NJ103KD40		22000	35*105	0.015	9.86	CER080NJ223KA105
	10000	35*40	0.033	6.50	CER063NJ103KA40		22000	50*63	0.019	11.08	CER080NJ223KC63
	12000	35*63	0.019	7.70	CER063NJ123KA63		27000	40*105	0.015	11.35	CER080NJ273KD105
	12000	35*50	0.028	7.20	CER063NJ123KA50		27000	50*80	0.015	12.33	CER080NJ273KC80
	12000	40*40	0.035	7.15	CER063NJ123KD40		33000	50*92	0.014	13.37	CER080NJ333KC92
	15000	35*70	0.016	8.50	CER063NJ153KA70		39000	50*105	0.013	14.34	CER080NJ393KC105
	15000	35*63	0.028	7.70	CER063NJ153KA63		470	22*20	0.450	1.00	CER100NJ471KE20
	18000	35*80	0.023	9.40	CER063NJ183KA80		470	22*25	0.450	1.10	CER100NJ471KE25
	18000	40*63	0.028	9.25	CER063NJ183KD63		560	22*25	0.400	1.30	CER100NJ561KE25
	27000	40*80	0.018	10.00	CER063NJ273KD80		680	22*25	0.320	1.60	CER100NJ681KE25
	27000	35*105	0.015	10.38	CER063NJ273KA105		680	25*20	0.390	1.10	CER100NJ681KF20
27000	50*50	0.018	10.86	CER063NJ273KC50	1000	22*30	0.220	2.00	CER100NJ102KE30		
33000	40*105	0.015	11.76	CER063NJ333KD105	1000	25*25	0.220	2.00	CER100NJ102KF25		
33000	50*63	0.017	11.57	CER063NJ333KC63	1000	30*20	0.250	1.20	CER100NJ102KG20		
47000	50*80	0.013	12.78	CER063NJ473KC80	1200	22*35	0.195	2.30	CER100NJ122KE35		
51000	50*92	0.012	13.34	CER063NJ513KC92	1200	25*30	0.180	2.30	CER100NJ122KF30		
56000	50*105	0.012	13.93	CER063NJ563KC105	1500	22*40	0.155	2.60	CER100NJ152KE40		
80V 1005V	680	22*20	0.450	1.00	CER080NJ681KE20	1500	25*30	0.155	2.60	CER100NJ152KF30	
	680	22*25	0.390	1.00	CER080NJ681KE25	1500	30*25	0.155	2.60	CER100NJ152KG25	
	1000	22*25	0.265	1.50	CER080NJ102KE25	1500	35*20	0.177	1.50	CER100NJ152KA20	
	1000	25*20	0.300	1.20	CER080NJ102KF20	1800	22*45	0.130	2.80	CER100NJ182KE45	
	1200	22*25	0.220	1.80	CER080NJ122KE25	1800	25*35	0.140	2.80	CER100NJ182KF35	
	1500	22*30	0.177	2.30	CER080NJ152KE30	1800	30*30	0.140	2.80	CER100NJ182KG30	
	1500	25*25	0.177	2.30	CER080NJ152KF25	2200	22*50	0.121	3.10	CER100NJ222KE50	
	1500	30*20	0.200	1.40	CER080NJ152KG20	2200	25*40	0.121	3.10	CER100NJ222KF40	
	1800	22*35	0.147	2.50	CER080NJ182KE35	2200	30*30	0.121	3.10	CER100NJ222KG30	
	1800	25*30	0.147	2.50	CER080NJ182KF30	2200	35*25	0.121	3.14	CER100NJ222KA25	
	2200	22*40	0.155	2.70	CER080NJ222KE40	2700	25*45	0.104	3.70	CER100NJ272KF45	
	2200	25*30	0.155	2.70	CER080NJ222KF30	2700	30*35	0.104	3.70	CER100NJ272KG35	
	2200	30*25	0.155	2.70	CER080NJ222KG25	2700	35*30	0.104	3.70	CER100NJ272KA30	
	2200	35*20	0.135	1.70	CER080NJ222KA20	3300	25*50	0.090	4.10	CER100NJ332KF50	
	2700	22*45	0.098	2.80	CER080NJ272KE45	3300	30*40	0.090	4.10	CER100NJ332KG40	
	2700	25*35	0.098	2.80	CER080NJ272KF35	3900	30*45	0.080	4.50	CER100NJ392KG45	
	2700	30*30	0.098	2.80	CER080NJ272KG30	3900	35*35	0.080	4.50	CER100NJ392KA35	
	3300	22*50	0.085	3.20	CER080NJ332KE50	4700	30*50	0.070	5.10	CER100NJ472KG50	
	3300	25*40	0.085	3.20	CER080NJ332KF40	4700	35*40	0.070	5.10	CER100NJ472KA40	
	3300	30*30	0.085	3.20	CER080NJ332KG30	5600	40*40	0.060	5.80	CER100NJ562KD40	
	3900	25*45	0.080	3.60	CER080NJ392KF45	5600	35*45	0.060	5.80	CER100NJ562KA45	
	3900	30*35	0.080	3.60	CER080NJ392KG35	6800	35*50	0.050	6.60	CER100NJ682KA50	
	4700	25*50	0.065	4.10	CER080NJ472KA50	6800	35*63	0.024	7.20	CER100NJ682KA63	
	4700	30*40	0.072	4.10	CER080NJ472KG40	6800	40*50	0.026	7.40	CER100NJ682KD50	
	5600	30*45	0.055	4.60	CER080NJ562KG45	8200	35*63	0.040	7.00	CER100NJ822KA63	
	5600	35*35	0.055	4.60	CER080NJ562KA35	8200	35*70	0.021	8.00	CER100NJ822KA70	
	6800	30*50	0.045	5.20	CER080NJ682KG50	8200	40*50	0.040	7.30	CER100NJ822KD50	
	6800	35*40	0.045	5.20	CER080NJ682KA40	8200	40*63	0.021	8.40	CER100NJ822KD63	

100V 125SV	10000	35*80	0.033	8.70	CER100NJ103KA80
	10000	40*63	0.033	8.00	CER100NJ103KD63
	10000	50*50	0.033	8.82	CER100NJ103KC50
	12000	40*80	0.028	8.65	CER100NJ123KD80
	12000	35*105	0.028	8.57	CER100NJ123KA105
	15000	40*105	0.022	10.12	CER100NJ153KD105
	15000	50*63	0.022	10.07	CER100NJ153KC63
	18000	50*80	0.018	11.00	CER100NJ183KC80
	22000	50*92	0.015	11.76	CER100NJ223KC92
	27000	50*105	0.014	12.53	CER100NJ273KC105
160V 200SV	220	22*20	1.000	0.80	CER160NJ221KE20
	220	22*25	0.850	0.90	CER160NJ221KE25
	270	22*25	0.700	1.20	CER160NJ271KE25
	270	25*20	0.800	0.90	CER160NJ271KF20
	330	22*25	0.603	1.50	CER160NJ331KE25
	390	22*25	0.470	1.60	CER160NJ391KE25
	390	22*30	0.470	1.60	CER160NJ391KE30
	390	25*25	0.470	1.60	CER160NJ391KF25
	390	30*20	0.600	1.10	CER160NJ391KG20
	470	22*30	0.423	2.10	CER160NJ471KE30
	470	25*25	0.423	2.10	CER160NJ471KF25
	560	22*30	0.355	2.25	CER160NJ561KE30
	560	25*25	0.355	2.25	CER160NJ561KF25
	560	35*20	0.420	1.30	CER160NJ561KA20
	680	22*35	0.293	2.50	CER160NJ681KE35
	680	25*30	0.293	2.50	CER160NJ681KF30
	680	30*25	0.293	2.50	CER160NJ681KG25
	820	22*40	0.260	2.50	CER160NJ821KE40
	820	22*45	0.260	2.80	CER160NJ821KE45
	820	25*35	0.260	2.80	CER160NJ821KF35
	820	30*25	0.260	2.75	CER160NJ821KG25
	1000	22*45	0.220	3.00	CER160NJ102KE45
	1000	25*40	0.220	3.00	CER160NJ102KF40
	1000	30*30	0.220	3.00	CER160NJ102KG30
	1200	25*50	0.210	3.25	CER160NJ122KF50
	1200	30*35	0.210	3.25	CER160NJ122KG35
	1200	35*30	0.210	3.25	CER160NJ122KA30
	1500	25*50	0.170	3.70	CER160NJ152KF50
	1500	30*35	0.170	3.70	CER160NJ152KG35
	1500	35*30	0.166	3.73	CER160NJ152KA30
	1800	30*50	0.140	4.20	CER160NJ182KG50
	1800	35*35	0.140	4.20	CER160NJ182KA35
	2200	30*50	0.105	4.78	CER160NJ222KG50
	2200	35*40	0.115	4.78	CER160NJ222KA40
2700	35*50	0.090	5.50	CER160NJ272KA50	
2700	40*40	0.080	5.50	CER160NJ272KD40	
3300	35*63	0.065	6.30	CER160NJ332KA63	
3300	40*50	0.065	6.30	CER160NJ332KD50	
3900	35*80	0.055	7.30	CER160NJ392KA80	
3900	40*63	0.055	7.30	CER160NJ392KD63	
4700	40*80	0.036	6.60	CER160NJ472KD80	
5600	40*80	0.040	8.30	CER160NJ562KD80	
5600	50*50	0.040	8.25	CER160NJ562KC50	
6800	35*105	0.032	9.10	CER160NJ682KA105	
8200	50*63	0.026	8.90	CER160NJ822KC63	
10000	40*105	0.022	9.90	CER160NJ103KD105	

160V 200SV	10000	50*80	0.022	9.80	CER160NJ103KC80
	12000	50*92	0.018	12.90	CER160NJ123KC92
	15000	50*105	0.014	14.10	CER160NJ153KC105
	330	22*25	0.603	1.80	CER180NJ331KE25
	390	22*30	0.510	1.20	CER180NJ391KE30
	390	25*25	0.510	1.20	CER180NJ391KF25
	470	22*35	0.423	2.10	CER180NJ471KE35
	470	25*25	0.423	2.10	CER180NJ471KF25
	560	22*35	0.355	2.30	CER180NJ561KE35
	560	25*30	0.355	2.30	CER180NJ561KF30
180V 225SV	680	22*40	0.293	2.50	CER180NJ681KE40
	680	25*35	0.293	2.50	CER180NJ681KF35
	680	30*30	0.293	2.50	CER180NJ681KG30
	820	22*45	0.243	2.80	CER180NJ821KE45
	820	25*40	0.243	2.80	CER180NJ821KF40
	820	30*30	0.243	2.80	CER180NJ821KG30
	1000	25*45	0.199	3.00	CER180NJ102KF45
	1000	30*35	0.199	3.00	CER180NJ102KG35
	1200	25*50	0.166	3.30	CER180NJ122KF50
	1200	30*40	0.166	3.30	CER180NJ122KG40
	1200	35*35	0.166	3.30	CER180NJ122KA35
	1500	30*45	0.133	3.80	CER180NJ152KG45
	1500	35*40	0.133	3.80	CER180NJ152KA40
	1800	30*50	0.111	4.30	CER180NJ182KG50
	1800	35*40	0.111	4.30	CER180NJ182KA40
	2200	35*50	0.090	4.90	CER180NJ222KA50
	2700	40*63	0.051	5.00	CER180NJ272KD63
	2700	35*70	0.054	4.80	CER180NJ272KA70
	3300	35*80	0.046	5.40	CER180NJ332KA80
	4700	40*80	0.036	6.60	CER180NJ472KD80
200V 250SV	150	22*20	1.330	0.65	CER200NJ151KE20
	150	22*25	1.220	0.70	CER200NJ151KE25
	220	22*25	0.083	1.00	CER200NJ221KE25
	220	25*20	0.905	0.90	CER200NJ221KF20
	270	22*25	0.610	1.40	CER200NJ271KE25
	330	22*25	0.550	1.60	CER200NJ331KE25
	330	30*20	0.603	1.00	CER200NJ331KG20
	390	22*30	0.470	1.70	CER200NJ391KE30
	390	25*25	0.470	1.70	CER200NJ391KF25
	470	22*35	0.390	1.90	CER200NJ471KE35
	470	25*30	0.390	1.90	CER200NJ471KF30
	470	30*25	0.423	1.90	CER200NJ471KG25
	470	35*20	0.460	1.30	CER200NJ471KA20
	560	22*40	0.330	2.40	CER200NJ561KE40
	560	25*30	0.330	2.43	CER200NJ561KF30
	560	30*25	0.390	2.15	CER200NJ561KG25
	680	22*45	0.270	2.70	CER200NJ681KE45
	680	25*35	0.270	2.70	CER200NJ681KF35
	680	30*30	0.270	2.70	CER200NJ681KG30
	820	25*45	0.220	2.90	CER200NJ821KF45
820	30*30	0.220	2.90	CER200NJ821KG30	
820	35*25	0.243	2.90	CER200NJ821KA25	
1000	25*45	0.199	3.25	CER200NJ102KF45	
1000	30*35	0.199	3.25	CER200NJ102KG35	
1000	35*30	0.199	3.30	CER200NJ102KA30	
1200	30*40	0.166	3.50	CER200NJ122KG40	

Product specifications in this catalog are subject to change without notice. Request our product specifications before purchase and/or use. Please use our products based on the information contained in this catalog and product specifications

200V 250SV	1200	35*30	0.166	3.50	CER200NJ122KA30
	1500	30*45	0.144	3.87	CER200NJ152KG45
	1500	35*35	0.144	3.87	CER200NJ152KA35
	1800	30*50	0.120	4.32	CER200NJ182KG50
	1800	35*40	0.120	4.32	CER200NJ182KA40
	2200	35*45	0.098	4.92	CER200NJ222KA45
	2200	40*40	0.098	4.92	CER200NJ222KD40
	2700	35*63	0.080	5.50	CER200NJ272KA63
	2700	40*50	0.080	5.40	CER200NJ272KD50
	3300	35*80	0.065	6.40	CER200NJ332KA80
	3300	40*63	0.065	6.30	CER200NJ332KD63
	3900	35*80	0.055	6.60	CER200NJ392KA80
	3900	40*63	0.055	6.80	CER200NJ392KD63
	3900	50*50	0.055	8.22	CER200NJ392KC50
	4700	40*80	0.046	8.38	CER200NJ472KD80
	4700	50*63	0.046	9.32	CER200NJ472KC63
	5600	35*105	0.038	8.90	CER200NJ562KA105
	6800	40*105	0.032	8.65	CER200NJ682KD105
	6800	50*80	0.032	11.41	CER200NJ682KC80
	7500	50*92	0.029	12.28	CER200NJ752KC92
8200	50*105	0.026	13.16	CER200NJ822KC105	
250V 300SV	120	22*20	1.658	0.50	CER250NJ121KE20
	120	22*25	1.520	0.71	CER250NJ121KE25
	150	22*25	1.220	0.90	CER250NJ151KE25
	150	25*20	1.326	0.70	CER250NJ151KF20
	180	22*25	0.920	1.10	CER250NJ181KE25
	220	22*25	0.754	1.17	CER250NJ221KE25
	220	30*20	0.830	0.90	CER250NJ221KG20
	270	22*30	0.620	1.30	CER250NJ271KE30
	270	25*25	0.620	1.30	CER250NJ271KF25
	330	22*35	0.550	1.80	CER250NJ331KE35
	330	25*30	0.550	1.80	CER250NJ331KF30
	330	30*25	0.550	1.80	CER250NJ331KG25
	330	35*20	0.550	1.10	CER250NJ331KA20
	390	22*40	0.510	1.90	CER250NJ391KE40
	390	25*30	0.468	1.91	CER250NJ391KF30
	390	30*25	0.510	1.90	CER250NJ391KG25
	470	22*45	0.390	2.10	CER250NJ471KE45
	470	25*35	0.390	2.10	CER250NJ471KF35
	470	30*25	0.350	2.10	CER250NJ471KG25
	560	25*40	0.326	2.30	CER250NJ561KF40
	560	30*30	0.326	2.30	CER250NJ561KG30
	560	35*25	0.326	2.30	CER250NJ561KA25
	680	25*45	0.268	2.50	CER250NJ681KF45
	680	30*35	0.268	2.50	CER250NJ681KG35
	680	35*30	0.293	2.50	CER250NJ681KA30
	820	30*40	0.222	2.80	CER250NJ821KG40
	820	35*30	0.222	2.80	CER250NJ821KA30
	1000	30*45	0.182	3.32	CER250NJ102KG45
	1000	35*35	0.182	3.32	CER250NJ102KA35
	1200	35*40	0.166	3.53	CER250NJ122KA40
	1500	35*50	0.133	4.00	CER250NJ152KA50
	1500	40*40	0.133	4.04	CER250NJ152KD40
	1800	35*63	0.110	4.50	CER250NJ182KA63
	1800	40*50	0.110	4.50	CER250NJ182KD50
	1800	40*63	0.062	4.80	CER250NJ182KD63

250V 300SV	2200	35*63	0.090	4.70	CER250NJ222KA63	
	2200	35*80	0.090	4.90	CER250NJ222KA80	
	2200	40*63	0.090	4.90	CER250NJ222KD63	
	2700	35*80	0.074	5.60	CER250NJ272KA80	
	2700	40*63	0.074	5.60	CER250NJ272KD63	
	2700	40*80	0.043	6.30	CER250NJ272KD80	
	2700	50*50	0.074	6.77	CER250NJ272KC50	
	3300	40*80	0.060	7.00	CER250NJ332KD80	
	3300	50*63	0.060	7.79	CER250NJ332KC63	
	3900	35*105	0.051	7.47	CER250NJ392KA105	
	3900	40*80	0.051	7.35	CER250NJ392KD80	
	4700	40*105	0.042	8.88	CER250NJ472KD105	
	4700	50*80	0.042	9.65	CER250NJ472KC80	
	5600	50*92	0.036	10.80	CER250NJ562KC92	
	6800	50*105	0.029	12.16	CER250NJ682KC105	
	315V 365SV	100	22*25	1.989	0.90	CER315NJ101KE25
		120	22*30	1.658	1.00	CER315NJ121KE30
		120	25*25	1.658	1.00	CER315NJ121KF25
		150	22*30	1.326	1.10	CER315NJ151KE30
		150	25*25	1.326	1.10	CER315NJ151KF25
180		22*35	1.105	1.20	CER315NJ181KE35	
180		25*30	1.105	1.20	CER315NJ181KF30	
180		30*25	1.105	1.20	CER315NJ181KG25	
220		22*40	0.904	1.40	CER315NJ221KE40	
220		25*35	0.904	1.40	CER315NJ221KF35	
220		30*25	0.904	1.40	CER315NJ221KG25	
270		22*45	0.737	1.60	CER315NJ271KE45	
270		25*40	0.737	1.60	CER315NJ271KF40	
270		30*30	0.737	1.60	CER315NJ271KG30	
330		25*45	0.603	1.80	CER315NJ331KF45	
330		30*30	0.603	1.80	CER315NJ331KG30	
330		35*25	0.603	1.80	CER315NJ331KA25	
390		25*50	0.510	2.00	CER315NJ391KF50	
390		30*35	0.510	2.00	CER315NJ391KG35	
390		35*30	0.510	2.00	CER315NJ391KA30	
350V 400SV	470	30*40	0.423	2.30	CER315NJ471KG40	
	470	35*35	0.423	2.30	CER315NJ471KA35	
	560	30*45	0.355	2.60	CER315NJ561KG45	
	560	35*35	0.355	2.60	CER315NJ561KA35	
	680	35*45	0.293	2.90	CER315NJ681KA45	
	820	35*50	0.243	3.30	CER315NJ821KA50	
	1000	35*63	0.218	2.70	CER315NJ102KA63	
	1200	35*70	0.182	3.20	CER315NJ122KA70	
	1200	40*50	0.202	2.90	CER315NJ122KD50	
	1500	35*80	0.153	3.60	CER315NJ152KA80	
	1500	40*63	0.162	3.40	CER315NJ152KD63	
	1800	40*80	0.113	4.50	CER315NJ182KD80	
	350V 400SV	82	22*25	2.022	0.83	CER350NJ820KE25
		100	22*30	1.660	0.90	CER350NJ101KE30
		120	22*30	1.382	1.00	CER350NJ121KE30
120		25*25	1.382	1.00	CER350NJ121KF25	
150		22*25	1.110	1.10	CER350NJ151KE25	
150		25*25	1.110	1.10	CER350NJ151KF25	
150		30*25	1.110	1.10	CER350NJ151KG25	
180		22*40	0.920	1.20	CER350NJ181KE40	
180	25*30	0.920	1.22	CER350NJ181KF30		

Product specifications in this catalog are subject to change without notice. Request our product specifications before purchase and/or use. Please use our products based on the information contained in this catalog and product specifications.

350V 400SV	180	30*25	0.920	1.20	CER350NJ181KG25
	220	22*45	0.750	1.44	CER350NJ221KE45
	220	25*35	0.750	1.44	CER350NJ221KF35
	220	30*25	0.750	1.44	CER350NJ221KG25
	220	35*25	0.750	1.44	CER350NJ221KA25
	270	25*40	0.614	1.66	CER350NJ271KF40
	270	30*30	0.614	1.66	CER350NJ271KG30
	270	35*25	0.614	1.66	CER350NJ271KA25
	270	35*25	0.614	1.70	CER350NJ271KA25
	330	25*50	0.500	1.90	CER350NJ331KF50
	330	30*35	0.500	1.90	CER350NJ331KG35
	330	35*30	0.500	1.90	CER350NJ331KA30
	390	25*50	0.425	2.06	CER350NJ391KF50
	390	30*40	0.425	2.06	CER350NJ391KG40
	390	35*30	0.425	2.06	CER350NJ391KA30
	470	30*50	0.390	2.40	CER350NJ471KG50
	470	35*35	0.390	2.40	CER350NJ471KA35
	560	30*50	0.326	2.60	CER350NJ561KG50
	560	35*40	0.326	2.60	CER350NJ561KA40
	680	35*45	0.293	2.96	CER350NJ681KA45
	680	40*40	0.293	3.00	CER350NJ681KD40
	820	35*50	0.243	3.55	CER350NJ821KA50
	1000	35*63	0.250	3.80	CER350NJ102KA63
	1000	40*50	0.250	3.80	CER350NJ102KD50
	1200	35*80	0.210	4.40	CER350NJ122KA80
	1200	40*63	0.210	4.40	CER350NJ122KD63
	1200	50*50	0.207	5.18	CER350NJ122KC50
	1500	50*63	0.166	6.01	CER350NJ152KC63
	1800	35*105	0.138	5.79	CER350NJ182KA105
	1800	40*80	0.138	5.85	CER350NJ182KD80
1800	50*80	0.138	6.89	CER350NJ182KC80	
2200	40*105	0.113	6.91	CER350NJ222KD15	
2200	50*92	0.113	7.79	CER350NJ222KC92	
2700	50*105	0.092	8.80	CER350NJ272KC105	
400V 450SV	47	22*20	3.530	0.25	CER400NJ470KE20
	47	22*25	3.530	0.47	CER400NJ470KE25
	68	22*25	2.440	0.70	CER400NJ680KE25
	68	25*20	2.930	0.35	CER400NJ680KF20
	82	22*25	2.000	0.80	CER400NJ820KE25
	100	22*30	1.650	0.90	CER400NJ101KE30
	100	25*25	1.650	0.90	CER400NJ101KF25
	100	30*20	1.990	0.50	CER400NJ101KG20
	120	22*35	1.380	1.00	CER400NJ121KE35
	120	25*25	1.380	1.02	CER400NJ121KF25
	150	22*40	1.100	1.20	CER400NJ151KE40
	150	25*30	1.100	1.20	CER400NJ151KF30
	150	30*25	1.100	1.20	CER400NJ151KG25
	150	35*20	1.330	0.60	CER400NJ151KA20
	180	22*45	0.920	1.40	CER400NJ181KE45
	180	25*30	0.920	1.40	CER400NJ181KF30
	220	22*50	0.750	1.50	CER400NJ221KE50
	220	25*40	0.750	1.50	CER400NJ221KF40
220	30*30	0.750	1.50	CER400NJ221KG30	
270	25*45	0.680	1.70	CER400NJ271KF45	
270	30*35	0.680	1.70	CER400NJ271KG35	
270	35*30	0.680	1.70	CER400NJ271KA30	

400V 450SV	330	30*40	0.550	1.90	CER400NJ331KG40
	330	35*30	0.550	1.90	CER400NJ331KA30
	390	30*45	0.470	2.10	CER400NJ391KG45
	390	35*35	0.470	2.10	CER400NJ391KA35
	470	35*40	0.388	2.39	CER400NJ471KA40
	560	35*45	0.326	2.69	CER400NJ561KA45
	560	40*40	0.326	2.70	CER400NJ561KD40
	680	35*50	0.270	3.00	CER400NJ681KA50
	680	40*50	0.270	3.40	CER400NJ681KD50
	820	35*63	0.222	3.55	CER400NJ821KA63
	820	40*50	0.222	3.40	CER400NJ821KD50
	1000	35*80	0.179	3.60	CER400NJ102KA80
	1000	40*63	0.199	4.20	CER400NJ102KD63
	1000	50*50	0.199	4.76	CER400NJ102KC50
	1200	35*80	0.152	4.52	CER400NJ122KA80
	1200	40*63	0.152	4.52	CER400NJ122KD63
	1200	50*63	0.166	5.47	CER400NJ122KC63
	1500	35*105	0.122	5.44	CER400NJ152KA105
	1500	40*80	0.122	5.50	CER400NJ152KD80
	1500	50*80	0.133	6.47	CER400NJ152KC80
	1800	40*105	0.101	6.53	CER400NJ182KD105
	1800	50*92	0.111	7.35	CER400NJ182KC92
	2200	50*105	0.090	8.43	CER400NJ222KC105
	420V 470SV	82	22*30	2.430	0.80
100		22*30	2.000	0.90	CER420NJ101KE30
100		25*25	2.000	0.90	CER420NJ101KF25
120		22*35	1.660	1.00	CER420NJ121KE35
120		25*30	1.660	1.00	CER420NJ121KF30
150		22*40	1.330	1.15	CER420NJ151KE40
150		25*30	1.330	1.15	CER420NJ151KF30
150		30*25	1.330	1.15	CER420NJ151KG25
180		22*45	1.100	1.45	CER420NJ181KE45
180		25*35	1.100	1.45	CER420NJ181KF35
180		30*30	1.100	1.45	CER420NJ181KG30
220		25*45	0.900	1.50	CER420NJ221KF45
220		30*30	0.900	1.50	CER420NJ221KG30
220		35*25	0.900	1.50	CER420NJ221KA25
270		25*50	0.740	1.70	CER420NJ271KF50
270		30*35	0.740	1.70	CER420NJ271KG35
270		35*30	0.740	1.70	CER420NJ271KA30
330		30*45	0.600	1.90	CER420NJ331KG45
330	35*35	0.600	1.90	CER420NJ331KA35	
390	30*50	0.500	2.10	CER420NJ391KG50	
390	35*40	0.500	2.10	CER420NJ391KA40	
470	35*45	0.420	2.40	CER420NJ471KA45	
560	35*50	0.355	2.70	CER420NJ561KA50	
450V 500SV	33	22*20	6.029	0.20	CER450NJ330KE20
	33	22*25	6.029	0.40	CER450NJ330KE25
	47	22*25	4.230	0.59	CER450NJ470KE25
	47	25*20	4.230	0.30	CER450NJ470KF20
	56	22*25	3.000	0.70	CER450NJ560KE25
	68	22*30	2.926	0.80	CER450NJ680KE30
	68	30*20	2.926	0.40	CER450NJ680KG20
	82	22*30	2.000	0.80	CER450NJ820KE30
	82	25*25	2.000	0.80	CER450NJ820KF25
	100	22*35	1.660	0.90	CER450NJ101KE35

Product specifications in this catalog are subject to change without notice. Request our product specifications before purchase and/or use. Please use our products based on the information contained in this catalog and product specifications

450V 500SV	100	25*30	1.660	0.90	CER450NJ101KF30
	100	30*25	1.989	0.90	CER450NJ101KG25
	100	35*20	1.989	0.50	CER450NJ101KA20
	120	22*40	1.380	1.00	CER450NJ121KE40
	120	25*30	1.380	1.00	CER450NJ121KF30
	120	30*25	1.380	1.00	CER450NJ121KG25
	150	22*50	1.100	1.20	CER450NJ151KE50
	150	25*40	1.100	1.20	CER450NJ151KF40
	150	30*30	1.100	1.20	CER450NJ151KG30
	180	25*40	0.921	1.35	CER450NJ181KF40
	180	30*30	0.921	1.35	CER450NJ181KG30
	180	35*25	0.921	1.40	CER450NJ181KA25
	220	25*45	0.754	1.55	CER450NJ221KF45
	220	30*35	0.754	1.55	CER450NJ221KG35
	220	35*30	0.904	1.60	CER450NJ221KA30
	270	30*45	0.680	1.80	CER450NJ271KG45
	270	35*30	0.680	1.80	CER450NJ271KA30
	330	30*50	0.550	2.00	CER450NJ331KG50
	330	35*35	0.553	2.01	CER450NJ331KA35
	390	35*45	0.510	2.20	CER450NJ391KA45
	470	35*45	0.423	2.53	CER450NJ471KA45
	470	40*40	0.423	2.53	CER450NJ471KD40
	560	35*50	0.355	2.50	CER450NJ561KA50
	560	35*63	0.355	2.90	CER450NJ561KA63
	680	35*70	0.226	3.20	CER450NJ681KA70
	680	40*50	0.290	3.15	CER450NJ681KD50
	680	40*63	0.201	3.40	CER450NJ681KD63
	820	40*63	0.243	3.70	CER450NJ821KD63
	820	35*80	0.243	3.80	CER450NJ821KA80
	820	50*50	0.263	4.31	CER450NJ821KC50
	1000	40*80	0.216	4.20	CER450NJ102KD80
	1000	50*63	0.216	4.96	CER450NJ102KC63
1200	35*105	0.166	4.80	CER450NJ122KA105	
1200	40*80	0.166	4.85	CER450NJ122KD80	
1200	50*80	0.180	5.71	CER450NJ122KC80	
1500	40*105	0.133	5.81	CER450NJ152KD105	
1500	50*92	0.144	6.55	CER450NJ152KC92	
1800	50*105	0.120	7.38	CER450NJ182KC105	
500V 550SV	33	22*25	4.420	0.60	CER500NJ330KE25
	47	22*25	3.500	0.63	CER500NJ470KE25
	56	22*30	2.980	0.70	CER500NJ560KE30
	68	22*35	2.720	0.78	CER500NJ680KE35
	68	25*25	2.720	0.78	CER500NJ680KF25
	82	22*40	2.455	0.88	CER500NJ820KE40
	82	25*30	2.455	0.88	CER500NJ820KF30
	82	30*25	2.455	0.90	CER500NJ820KG25
	100	22*45	2.013	0.99	CER500NJ101KE45

500V 550SV	100	25*35	2.013	0.99	CER500NJ101KF35
	100	25*40	2.013	1.10	CER500NJ101KF40
	100	30*30	2.013	1.10	CER500NJ101KG30
	100	35*25	2.013	1.10	CER500NJ101KA25
	120	22*50	1.678	1.13	CER500NJ121KE50
	120	25*40	1.678	1.13	CER500NJ121KF40
	120	30*30	1.678	1.13	CER500NJ121KG30
	120	30*35	1.678	1.40	CER500NJ121KG35
	120	35*30	1.678	1.40	CER500NJ121KA30
	150	25*45	1.105	1.29	CER500NJ151KF45
	150	25*50	0.945	1.40	CER500NJ151KF50
	150	30*35	1.105	1.29	CER500NJ151KG35
	150	30*40	0.926	1.60	CER500NJ151KG40
	150	35*25	1.342	1.29	CER500NJ151KA25
	180	25*50	0.920	1.38	CER500NJ181KF50
	180	30*40	0.920	1.38	CER500NJ181KG40
	180	35*30	1.119	1.38	CER500NJ181KA30
	180	35*35	1.119	1.60	CER500NJ181KA35
	220	30*45	0.754	1.50	CER500NJ221KG45
	220	30*50	0.654	2.00	CER500NJ221KG50
	220	35*35	0.915	1.50	CER500NJ221KA35
	220	35*40	0.915	1.90	CER500NJ221KA40
	270	35*40	0.746	1.76	CER500NJ271KA40
	270	35*50	0.746	2.30	CER500NJ271KA50
	270	40*40	0.746	2.40	CER500NJ271KD40
	330	35*45	0.610	1.99	CER500NJ331KA45
	330	40*40	0.610	2.16	CER500NJ331KD40
	390	35*50	0.516	2.22	CER500NJ391KA50
	390	35*63	0.516	2.70	CER500NJ391KA63
	390	40*50	0.516	2.90	CER500NJ391KD50
	470	35*63	0.428	2.58	CER500NJ471KA63
	470	35*70	0.428	3.20	CER500NJ471KA70
470	40*50	0.428	2.70	CER500NJ471KD50	
470	40*63	0.428	3.40	CER500NJ471KD63	
560	35*80	0.360	3.60	CER500NJ561KA80	
560	40*63	0.360	3.11	CER500NJ561KD63	
560	50*50	0.360	3.52	CER500NJ561KC50	
680	40*80	0.296	4.50	CER500NJ681KD80	
680	35*80	0.296	3.21	CER500NJ681KA80	
680	50*63	0.296	4.07	CER500NJ681KC63	
820	35*105	0.246	3.97	CER500NJ821KA105	
820	40*80	0.246	3.88	CER500NJ821KD80	
1000	50*80	0.201	5.05	CER500NJ102KC80	
1200	40*105	0.168	5.90	CER500NJ122KD105	
1200	50*92	0.168	5.74	CER500NJ122KC92	
1500	50*105	0.134	6.65	CER500NJ152KC105	

◆ RATED RIPPLE CURRENT MULTIPLIERS

● Frequency Multipliers

Frequency (HZ)	50	120	300	1K	10K	50K
16~100vdc	0.95	1.00	1.03	1.05	1.08	1.08
160~250vdc	0.81	1.00	1.17	1.32	1.45	1.50
315~450vdc	0.77	1.00	1.16	1.30	1.41	1.43

×The endurance of capacitors is reduced with internal heating produced by ripple current at the rate of halving the lifetime with every 5°C rise. When long life performance is required in actual use, the rms ripple current has to be reduced